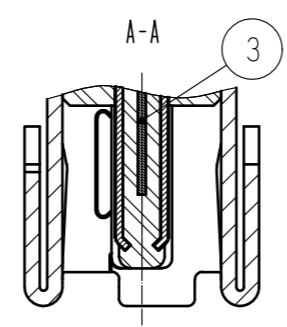
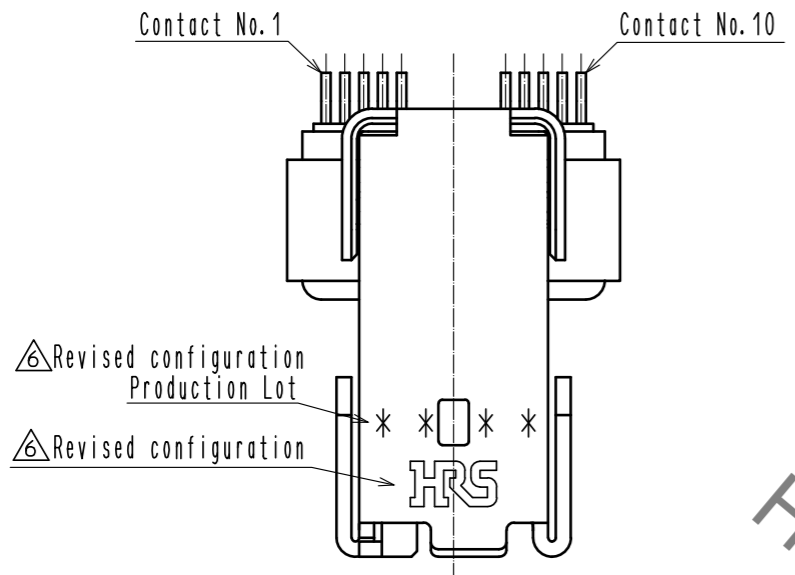
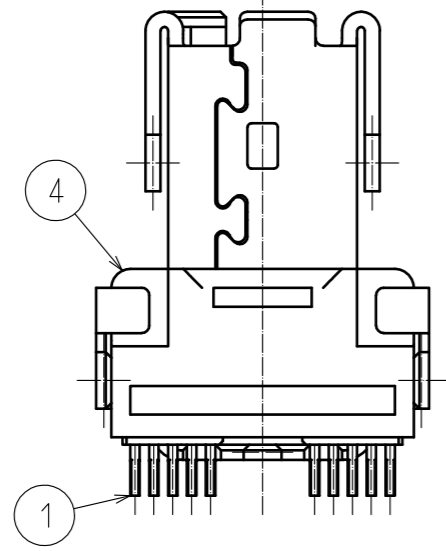
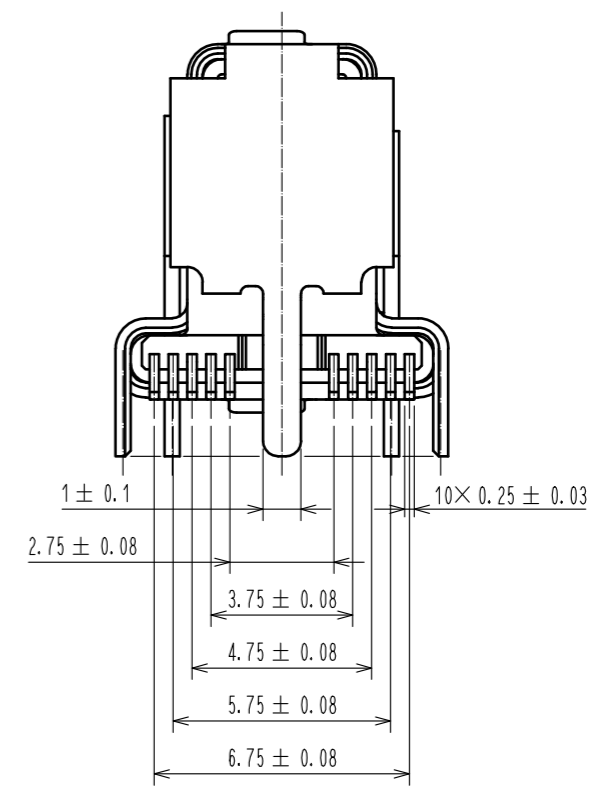
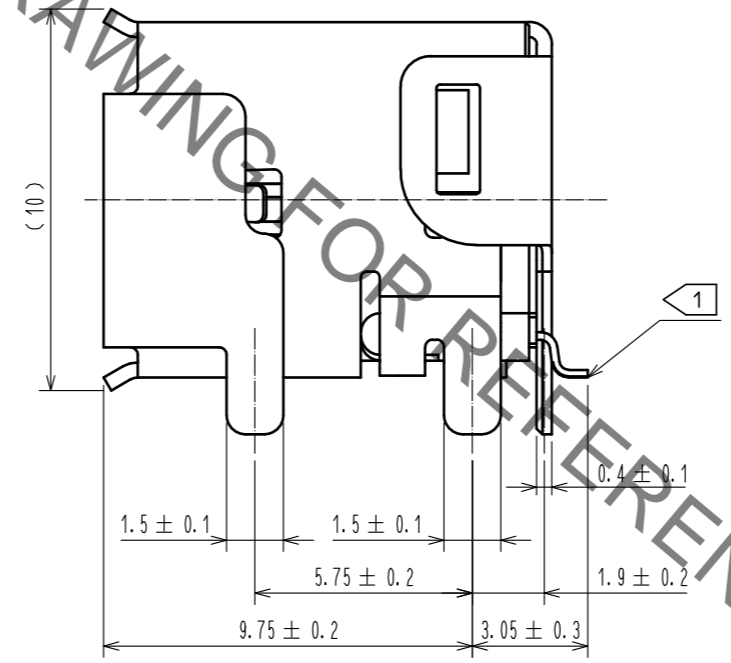
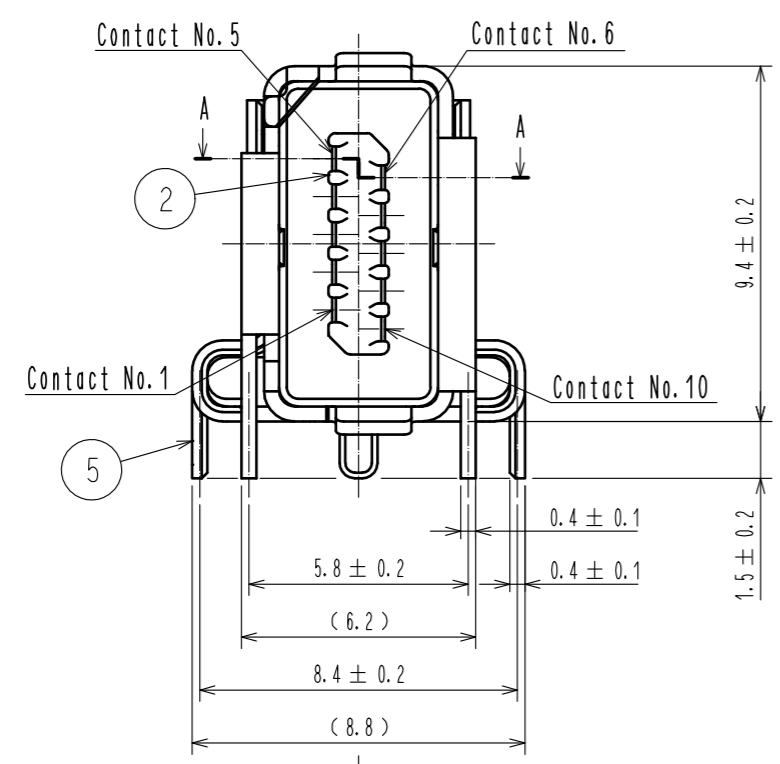


Sep.1.2021 Copyright 2021 HIROSE ELECTRIC CO., LTD. All Rights Reserved.  
In case of consideration for using Automotive equipment / device which demand high reliability, kindly contact our sales window correspondents.



- Notes.
- 1 Co-planarity is within 0.1 mm.
  - 2 As for part No.5 the performance remains good even if there are rubbing wounds by the assembly process. And the performance remains good though there might be a difference in the plating luster between each plating lots.
  - 3 Per reel : 400 pcs.
  - 4 Refer to the mated condition diagram for the panel thickness and layout.
  - 5 This product is mounted by reflow soldering. Refer to specification sheet ELC-129488-00-00 for reflow soldering.

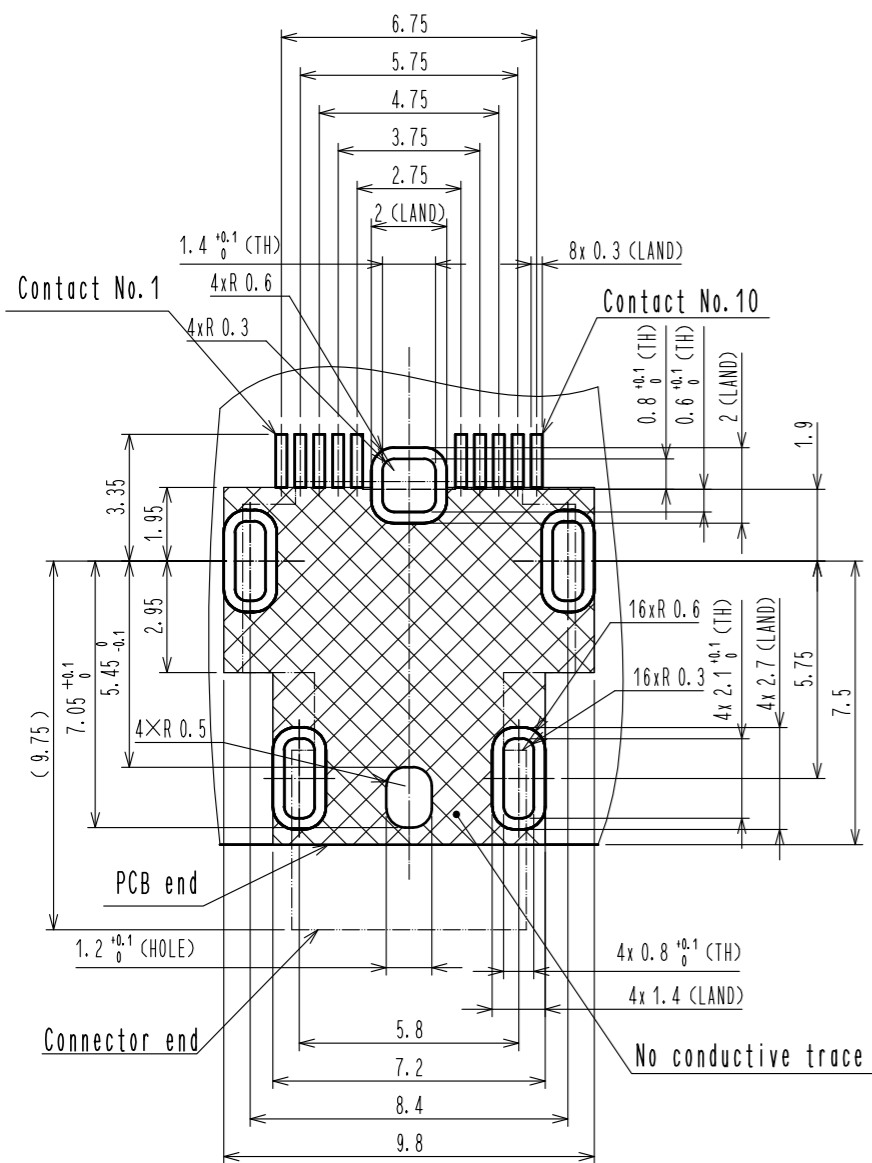


3	Stainless Steel		7	PE			
2	LCP	Gray - UL94V-0	6	PS			
1	Copper Alloy	Contact area : Gold 0.2 μm min. Lead area : Gold 0.03 μm min. Under plating : Nickel 2 μm min.	5	Stainless Steel	Surface : Tin 1 μm min. Under plating : Nickel 0.2 μm min.		
			4	LCP	Gray - UL94V-0		
	MATERIAL	FINISH . REMARKS	NO.	MATERIAL	FINISH . REMARKS		
UNITS mm		SCALE 5 : 1	COUNT 3	DESCRIPTION OF REVISIONS DIS-E-00003272	DESIGNED KI. KAGOTANI	CHECKED MN. KENJO	DATE 20200925
<b>HRS</b> HIROSE ELECTRIC CO., LTD.		APPROVED : RI. TAKAYASU 20170328	DRAWING NO. EDC-129488-00-00				
		CHECKED : KI. NAGANUMA 20170327	PART NO. IX61G-B-10P				
		DESIGNED : TS. SAKAIZAWA 20170327	CODE NO. CL251-0026-0-00				
		DRAWN : TS. SAKAIZAWA 20170327					

HRS DRAWING FOR REFERENCE

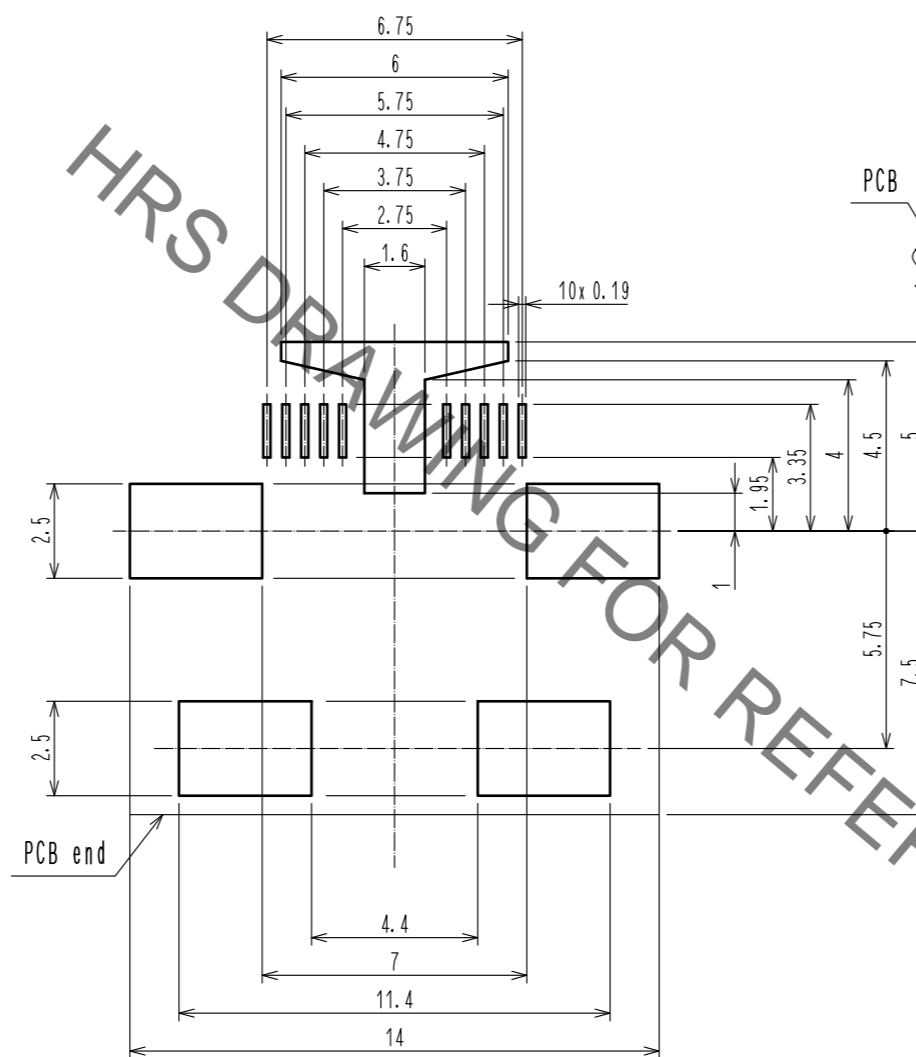
Sep.1.2021 Copyright 2021 HIROSE ELECTRIC CO., LTD. All Rights Reserved.  
In case of consideration for using Automotive equipment / device which demand high reliability, kindly contact our sales window correspondents.

Reference PCB Layout (Connector Mounting Side) (t = 1.6)



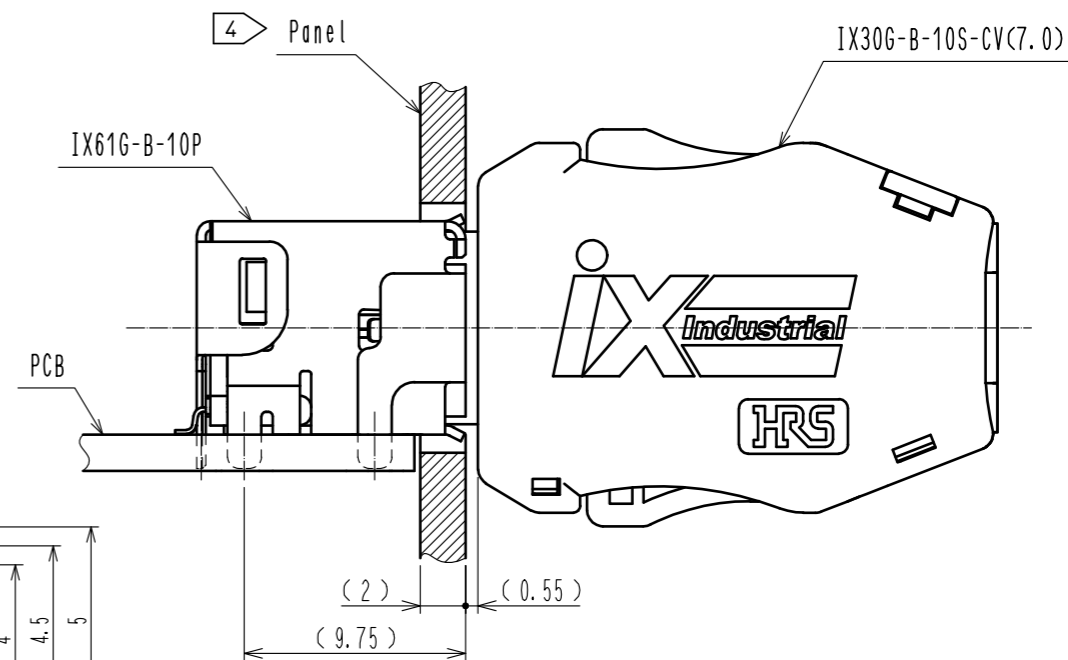
General tolerance is +/- 0.05

Reference Metal Mask Layout (t = 0.15)

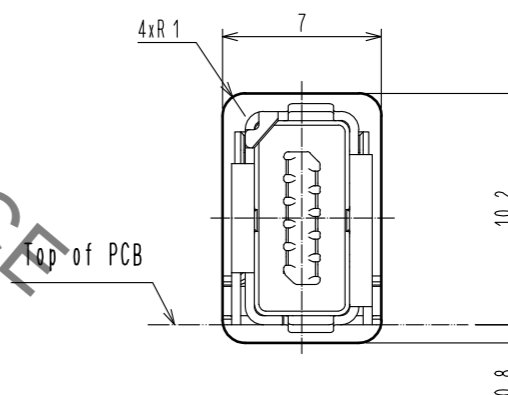


General tolerance is +/- 0.02

Mated Condition (Free)



Reference Dimensions of Panel Cutout (FREE)



Dimension is reference.

Thickness of metal mask is 0.1 mm min.

Metal mask dimensions of the drawings described, are reference dimensions for 0.15 mm thickness metal mask.

Change the metal mask dimensions by thickness of the metal mask, thickness of PCB, component of solder paste and mounting conditions.

Change the metal mask dimensions in case of mounting IX61G-+-10P in parallel.

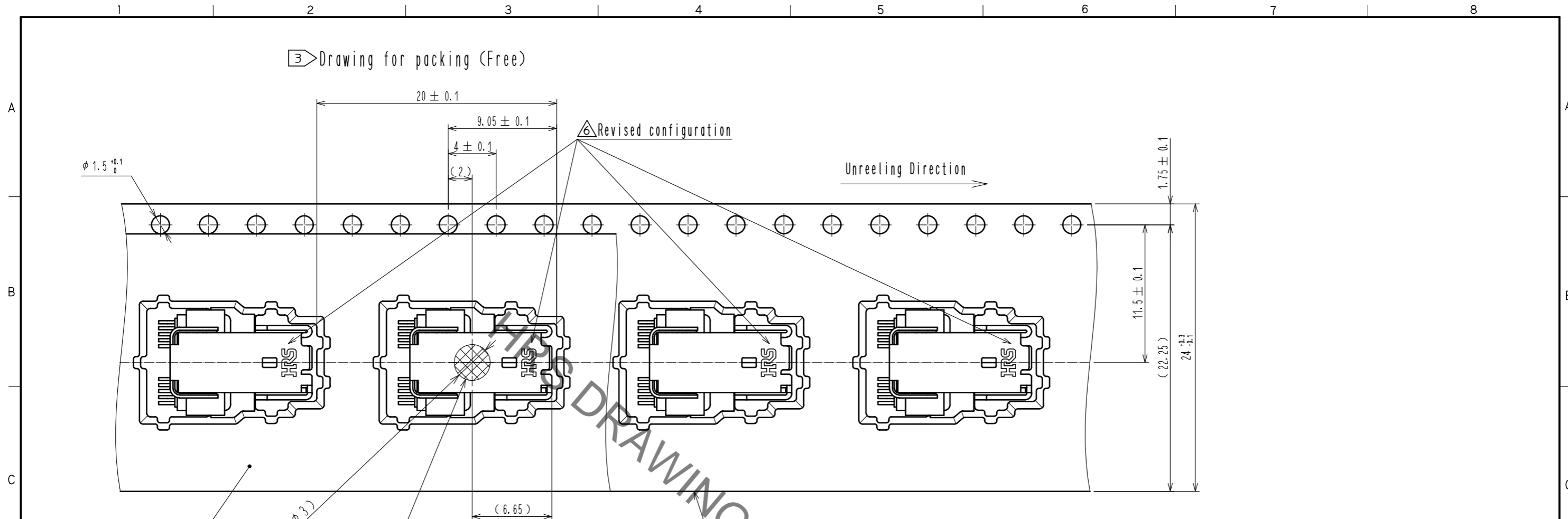
Change the metal mask dimensions, if there are other mounting parts or implementation pattern around the portion of mounting position of IX61G-+-10P.

Refer to the technical specification (ETAD-E3170-00) for different variations of the metal mask pattern width.

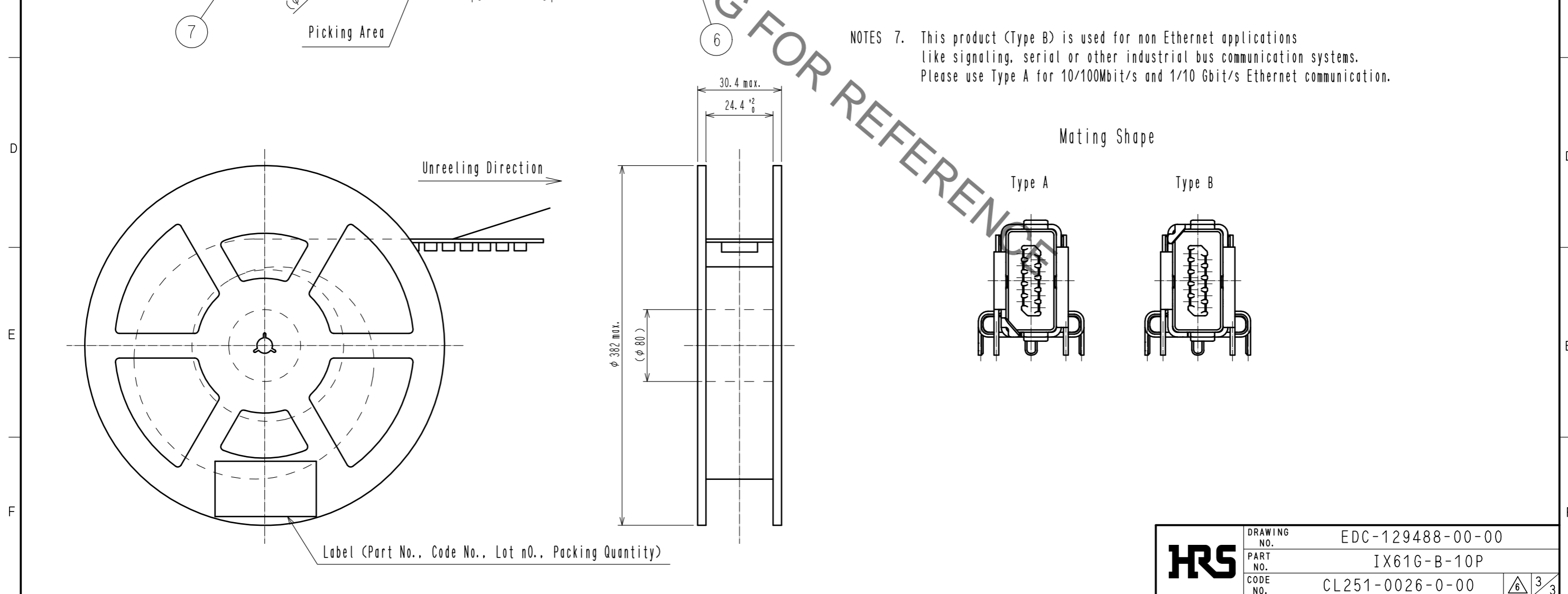
<b>HRS</b>	DRAWING NO.	EDC-129488-00-00
	PART NO.	IX61G-B-10P
	CODE NO.	CL251-0026-0-00
		2/3

Sep.1.2021 Copyright 2021 HIROSE ELECTRIC CO., LTD. All Rights Reserved.  
 In case of consideration for using Automotive equipment / device which demand high reliability, kindly contact our sales window correspondents.

③ Drawing for packing (Free)



NOTES 7. This product (Type B) is used for non Ethernet applications like signaling, serial or other industrial bus communication systems. Please use Type A for 10/100Mbit/s and 1/10 Gbit/s Ethernet communication.



<b>HRS</b>	DRAWING NO.	EDC-129488-00-00	③/3
	PART NO.	IX61G-B-10P	
	CODE NO.	CL251-0026-0-00	

# Mouser Electronics

Authorized Distributor

Click to View Pricing, Inventory, Delivery & Lifecycle Information:

[Hirose Electric:](#)

[IX61G-B-10P](#)